

	1
	1
	
1-1	
1-1	
1-	
1-	
1-	
1-	11
1-	1
1-	1
1-	1
1-	1
1-10	1
1-11	
1-1	
1-1	
1-1	
1-1	
1-1	0
1-1	
1-1	
	
	
-1	
-1	
-	0
-	1
-	
-	
-	
-	
-	1
-10	
-11	
-1	
-1	
-1	1
-1	
-1	
-1	
-1	
	0

[2014] 55

- 1.
- 2.
- 3.
- 4.

--

--

		1-1	1	1-1	1-1
		-1	1	-1	-1
		-1	1	-1	-1

1

I/O

C

/

Kei I C

2

1

/ /

Kei I C

MCU

/ /

2

6S (

)

/

3

120

4

20		10	0	
				1
				2
		10		3
				4
			5	

10

5

30

1



2

PCB

E

3

1

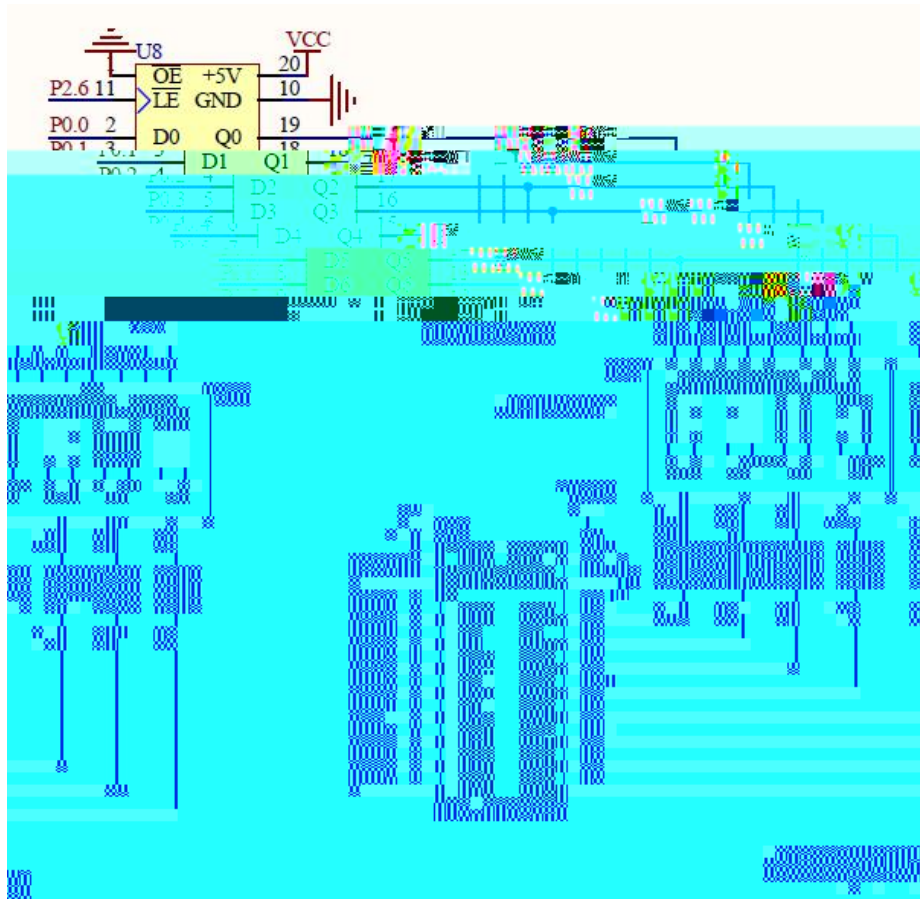


2

PCB
E

3

1

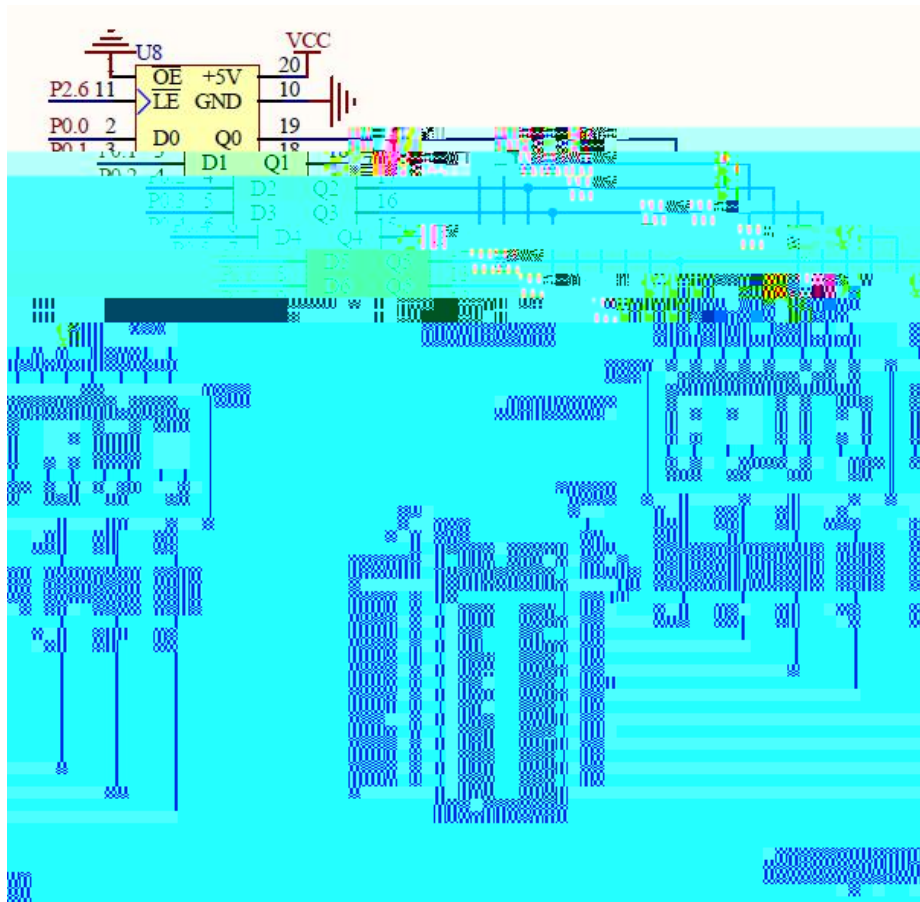


2

PCB
E

3

1



2

PCB

E

3

1

K1 8



2

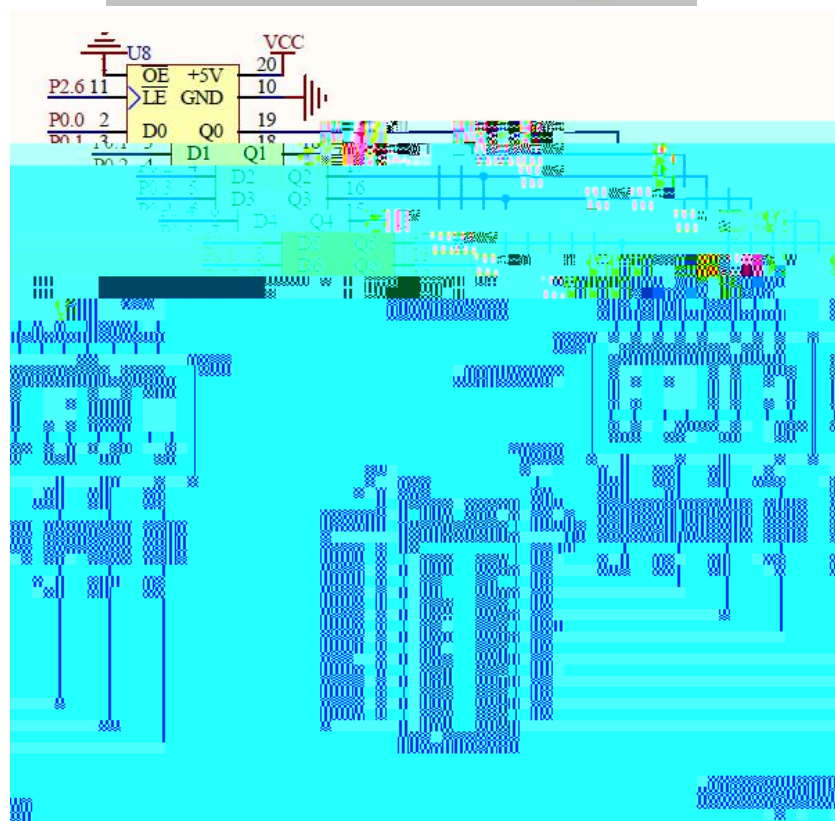
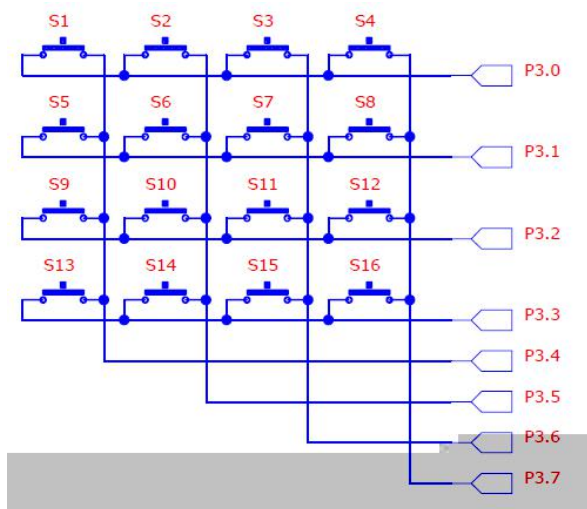
PCB
E

3

1

S1-S16

O-F



2

PCB

E

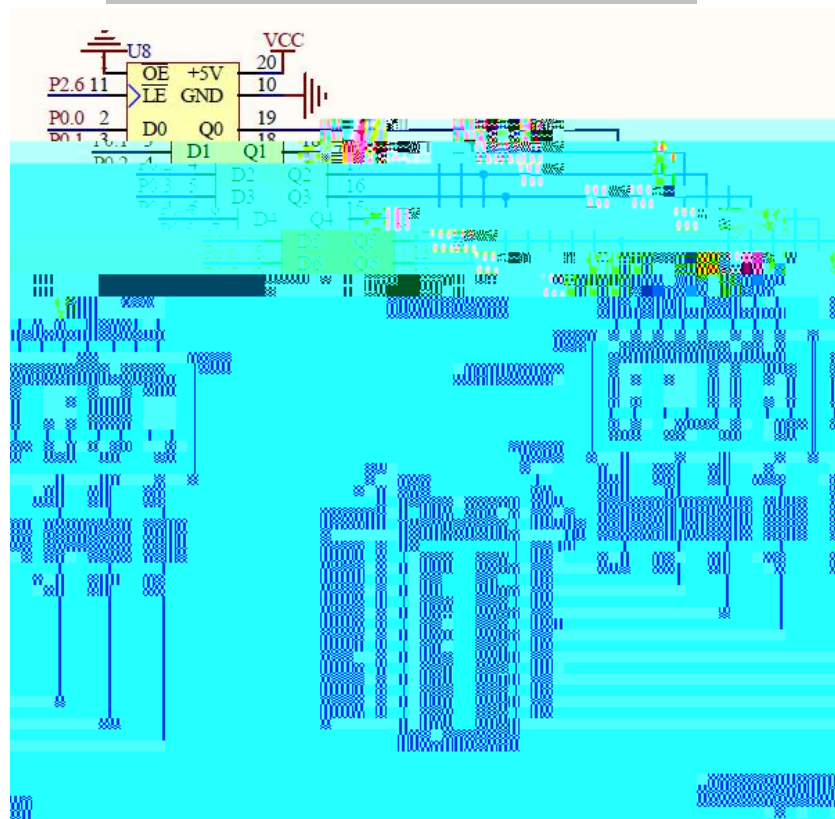
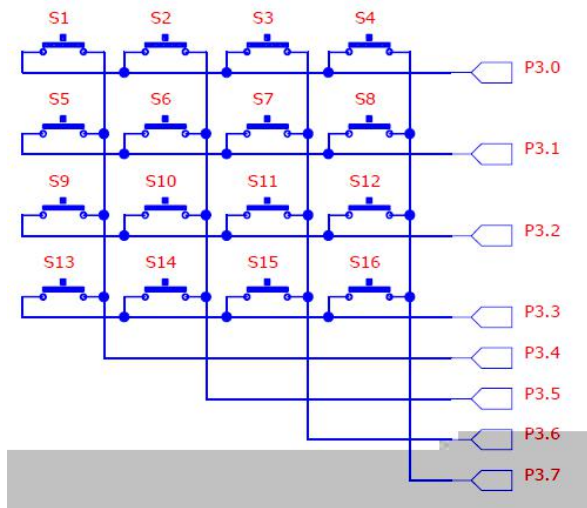
3

1

P3.2

9 0

1



2

PCB

E

3

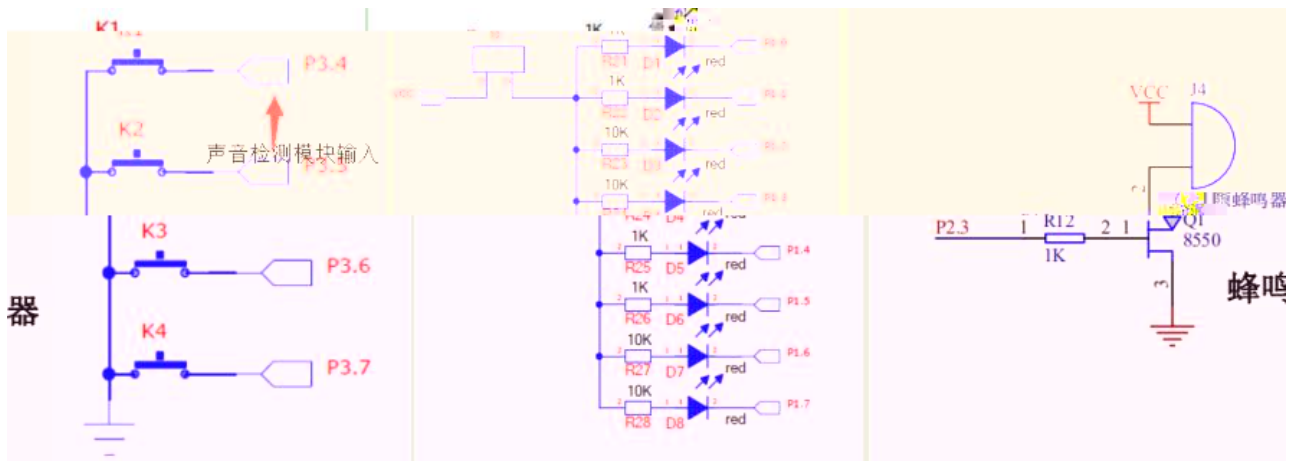
1

P3.4

1

P3.4

D1



1

2

PCB

E

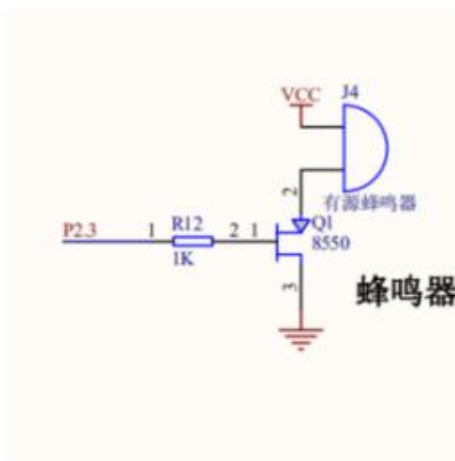
3

1

P3.7

1

P3.7



1

2

PCB
E

3

1

1

K1

D1

K2

D2



1

2

PCB

E

3

1

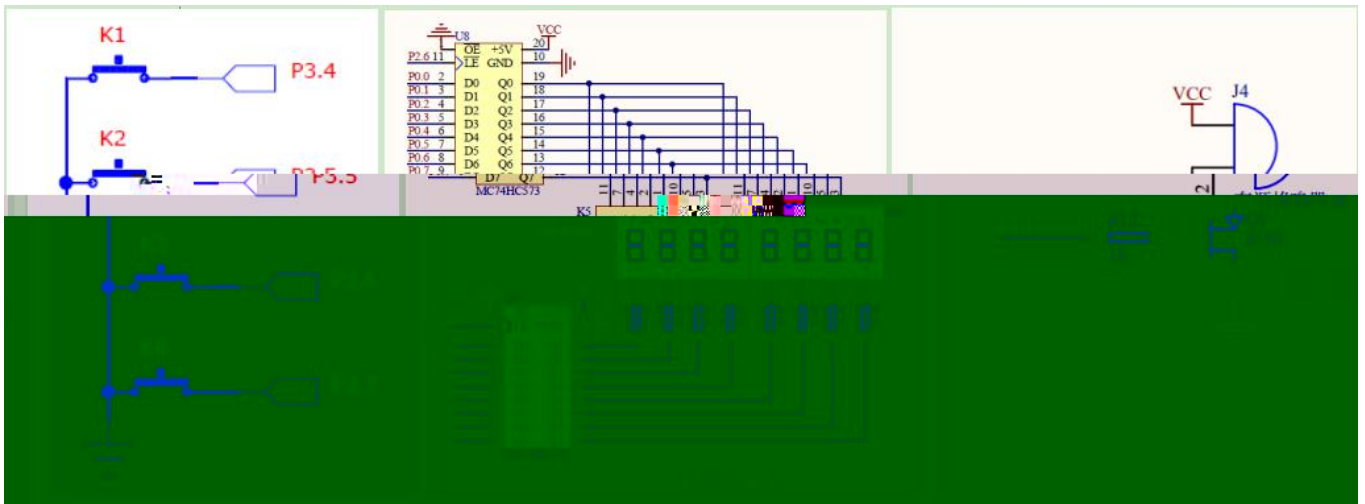
1

K1

K2 K3 K4

K1

" 1"



2

PCB

E

3

1

2



2

PCB

E

3

1

1

P3.6

P3.6



1

2

PCB

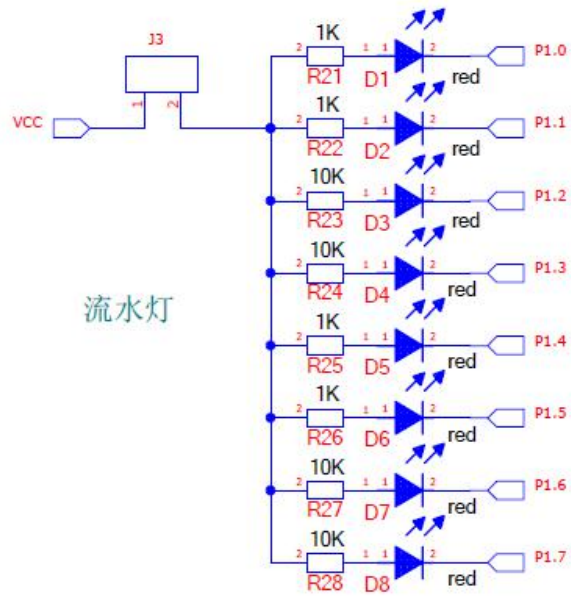
E

3

0

1

0.5S 0.5S



2

PCB

E

3

1

K1

D1-D4

K2

D5-D8



2

PCB

E

3

1

/ /

1

/ /

/ /

()

/

1 0

20		10			0
			1		
		10	2		
			3		

			4	
			5	
30		10		
		5		
		5		
		10		
50		5		
		5	1 2	PCB
		10		
		15	1 2 3	
		15		

5

18

1



2

3

1



2

3

1



2

3

1



2

3

1



2



3

1

1	VBAT	VDD	64
2	PC13/ANT1	VSS	63
3	PC14/OSC32	PB9/TIM4_CH4/SDIO_D5	62
4	PC15/OSC32	PB8/TIM4_CH3/SDIO_D4	61
5	PD0/OSCIN	...	60
6	PD1/OSCOU	... BOOT0	59
7	NRST	PB7/I2C1_SDA/TIM4_CH2	58
8	PC0/ADC10	PB6/I2C1_SCL/TIM4_CH1	57
9	PC1/ADC11	PB5/I2C1_SMBA/SPI3_MOSI/I2S3_SD	56
10	PC2/ADC12	PB4/JNTRST/SPI3_MISO	55
11	PC3/ADC13	PB3/JTDO/SPI3_SCK/I2S3_CK	54
12	VSSA	PD2/U5_RX/TIM3_ETR/SDIO_CMD	53
13	VDDA	PC12/U5_TX/SDIO_CK	52
14	PA0/WKUP/ADC0/TIM2_CH1_ETR/TIM5_CH1/TIM8_ETR	PC11/U4_RX/SDIO_D3	51
15	PA1/ADC1/TIM2_CH2/TIM5_CH2	PC10/U4_TX/SDIO_D2	50
16	PA2/U2_TX/ADC2/TIM2_CH3/TIM5_CH3	PA15/JTDI/SPI3_NSS/I2S3_WS	49
17	PA3/U2_RX/ADC3/TIM2_CH4/TIM5_CH4	PA14/JTCK/SWCLK	48
18	VDD	VDD	4
19	VSS	VSS	5
20	PA4/ADC0/ADC0/ADC0	PA13/TIM2_CH5	6
21	PA5/ADC1/ADC1/ADC1	PA12/TIM2_CH4	7
22	PA6/ADC2/ADC2/ADC2	PA11/TIM2_CH3	8
23	PA7/ADC3/ADC3/ADC3	PA10/TIM2_CH2	9
24	PA8/TIM2_CH1	PA9/TIM2_CH1	10
25	PA9/TIM2_CH1	PA8/TIM2_CH1	11
26	PA10/TIM2_CH2	PA7/TIM2_CH2	12
27	PA11/TIM2_CH3	PA6/TIM2_CH3	13
28	PA12/TIM2_CH4	PA5/TIM2_CH4	14
29	PA13/TIM2_CH5	PA4/TIM2_CH5	15
30	PA14/JTCK/SWCLK	PA3/TIM2_CH5	16
31	PA15/JTDI/SPI3_NSS/I2S3_WS	PA2/TIM2_CH5	17
32	PA16/SPI3_NSS/I2S3_WS	PA1/TIM2_CH5	18
33	PA17/SPI3_MISO	PA0/TIM2_CH5	19
34	PA18/SPI3_MOSI	PA0/TIM2_CH5	20
35	PA19/SPI3_SCK	PA0/TIM2_CH5	21
36	PA20/SPI3_CS	PA0/TIM2_CH5	22
37	PA21/SPI3_CS	PA0/TIM2_CH5	23
38	PA22/SPI3_CS	PA0/TIM2_CH5	24
39	PA23/SPI3_CS	PA0/TIM2_CH5	25
40	PA24/SPI3_CS	PA0/TIM2_CH5	26
41	PA25/SPI3_CS	PA0/TIM2_CH5	27
42	PA26/SPI3_CS	PA0/TIM2_CH5	28
43	PA27/SPI3_CS	PA0/TIM2_CH5	29
44	PA28/SPI3_CS	PA0/TIM2_CH5	30
45	PA29/SPI3_CS	PA0/TIM2_CH5	31
46	PA30/SPI3_CS	PA0/TIM2_CH5	32
47	PA31/SPI3_CS	PA0/TIM2_CH5	33
48	PA32/SPI3_CS	PA0/TIM2_CH5	34
49	PA33/SPI3_CS	PA0/TIM2_CH5	35
50	PA34/SPI3_CS	PA0/TIM2_CH5	36
51	PA35/SPI3_CS	PA0/TIM2_CH5	37
52	PA36/SPI3_CS	PA0/TIM2_CH5	38
53	PA37/SPI3_CS	PA0/TIM2_CH5	39
54	PA38/SPI3_CS	PA0/TIM2_CH5	40
55	PA39/SPI3_CS	PA0/TIM2_CH5	41
56	PA40/SPI3_CS	PA0/TIM2_CH5	42
57	PA41/SPI3_CS	PA0/TIM2_CH5	43
58	PA42/SPI3_CS	PA0/TIM2_CH5	44
59	PA43/SPI3_CS	PA0/TIM2_CH5	45
60	PA44/SPI3_CS	PA0/TIM2_CH5	46
61	PA45/SPI3_CS	PA0/TIM2_CH5	47
62	PA46/SPI3_CS	PA0/TIM2_CH5	48
63	PA47/SPI3_CS	PA0/TIM2_CH5	49
64	PA48/SPI3_CS	PA0/TIM2_CH5	50

2

3

1



2

3

1

1	VBAT	VDD	64
2	PC13/ANT1	VSS	63
3	PC14/OSC32	PB9/TIM4_CH4/SDIO_D5	62
4	PC15/OSC32	PB8/TIM4_CH3/SDIO_D4	61
5	PD0/OSCIN	BOOT0	60
6	PD1/OSCCOUT	PB7/I2C1_SDA/TIM4_CH2	59
7	NRST	PB6/I2C1_SCL/TIM4_CH1	58
8	PC0/ADC10	PB5/I2C1_SMBA/SPI3_MOSI/I2S3_SD	57
9	PC1/ADC11	PB4/JNTRST/SPI3_MISO	56
10	PC2/ADC12	PB3/JTDO/SPI3_SCK/I2S3_CK	55
11	PC3/ADC13	PD2/U5_RX/TIM3_ETR/SDIO_CMD	54
12	VSSA	PC12/U5_TX/SDIO_CK	53
13	VDDA	PC11/U4_RX/SDIO_D3	52
14	PA0/WKUP/ADC0/TIM2_CH1_ETR/TIM5_CH1/TIM8_ETR	PC10/U4_TX/SDIO_D2	51
15	PA1/ADC1/TIM2_CH2/TIM5_CH2	PA15/JTDO/SPI3_NSS/I2S3_WS	50
16	PA2/U2_TX/ADC2/TIM2_CH3/TIM5_CH3	PA14/JTCK/SWCLK	49
17	PA3/U2_RX/ADC3/TIM2_CH4/TIM5_CH4	VDD	48
18	PC4	VDD	47
19	PC5	PA13/TIM2_CH5	46
20	PC6	PA12/CKM/PAUCC1/TIM1_ETR	45
21	PC7	PA11/CKM/PAUCC2/TIM1_ETR	44
22	PC8	PA10/CKM/PAUCC3/TIM1_ETR	43
23	PC9	PA9/CKM/PAUCC4/TIM1_ETR	42
24	PC10	PA8/CKM/PAUCC5/TIM1_ETR	41
25	PC11	PA7/CKM/PAUCC6/TIM1_ETR	40
26	PC12	PA6/CKM/PAUCC7/TIM1_ETR	39
27	PC13	PA5/CKM/PAUCC8/TIM1_ETR	38
28	PC14	PA4/CKM/PAUCC9/TIM1_ETR	37
29	PC15	PA3/CKM/PAUCC10/TIM1_ETR	36
30	PC16	PA2/CKM/PAUCC11/TIM1_ETR	35
31	PC17	PA1/CKM/PAUCC12/TIM1_ETR	34
32	PC18	PA0/CKM/PAUCC13/TIM1_ETR	33
33	PC19	PA15/CKM/PAUCC14/TIM1_ETR	32
34	PC20	PA14/CKM/PAUCC15/TIM1_ETR	31
35	PC21	PA13/CKM/PAUCC16/TIM1_ETR	30
36	PC22	PA12/CKM/PAUCC17/TIM1_ETR	29
37	PC23	PA11/CKM/PAUCC18/TIM1_ETR	28
38	PC24	PA10/CKM/PAUCC19/TIM1_ETR	27
39	PC25	PA9/CKM/PAUCC20/TIM1_ETR	26
40	PC26	PA8/CKM/PAUCC21/TIM1_ETR	25
41	PC27	PA7/CKM/PAUCC22/TIM1_ETR	24
42	PC28	PA6/CKM/PAUCC23/TIM1_ETR	23
43	PC29	PA5/CKM/PAUCC24/TIM1_ETR	22
44	PC30	PA4/CKM/PAUCC25/TIM1_ETR	21
45	PC31	PA3/CKM/PAUCC26/TIM1_ETR	20
46	PC32	PA2/CKM/PAUCC27/TIM1_ETR	19
47	PC33	PA1/CKM/PAUCC28/TIM1_ETR	18
48	PC34	PA15/CKM/PAUCC29/TIM1_ETR	17
49	PC35	PA14/CKM/PAUCC30/TIM1_ETR	16
50	PC36	PA13/CKM/PAUCC31/TIM1_ETR	15
51	PC37	PA12/CKM/PAUCC32/TIM1_ETR	14
52	PC38	PA11/CKM/PAUCC33/TIM1_ETR	13
53	PC39	PA10/CKM/PAUCC34/TIM1_ETR	12
54	PC40	PA9/CKM/PAUCC35/TIM1_ETR	11
55	PC41	PA8/CKM/PAUCC36/TIM1_ETR	10
56	PC42	PA7/CKM/PAUCC37/TIM1_ETR	9
57	PC43	PA6/CKM/PAUCC38/TIM1_ETR	8
58	PC44	PA5/CKM/PAUCC39/TIM1_ETR	7
59	PC45	PA4/CKM/PAUCC40/TIM1_ETR	6
60	PC46	PA3/CKM/PAUCC41/TIM1_ETR	5
61	PC47	PA2/CKM/PAUCC42/TIM1_ETR	4
62	PC48	PA1/CKM/PAUCC43/TIM1_ETR	3
63	PC49	PA15/CKM/PAUCC44/TIM1_ETR	2
64	PC50	PA14/CKM/PAUCC45/TIM1_ETR	1

2

3

3

-

3

-

1

2

1



2

3

-

3

-

3

-



2

3

-

1



2

3

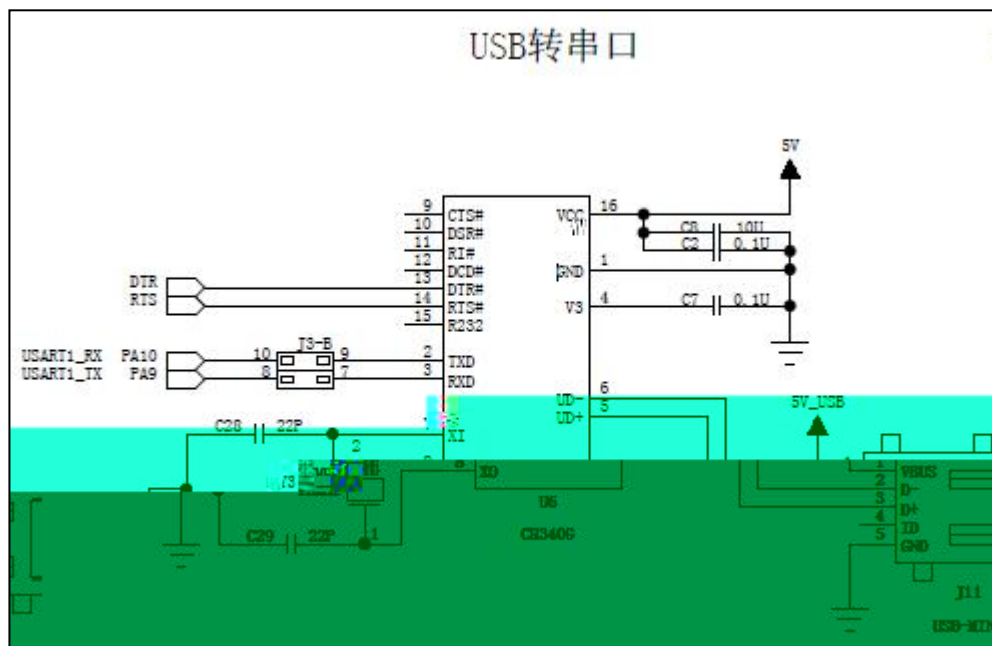


2

3

-

1



2

3

-

1

1

/ /

.0

/ /

()

/

1 0

20		10			0	
			6			
			7			
		10	8			
			9			

			10	
30				
		10		
		10		
50				
		10		

5

18

1
2

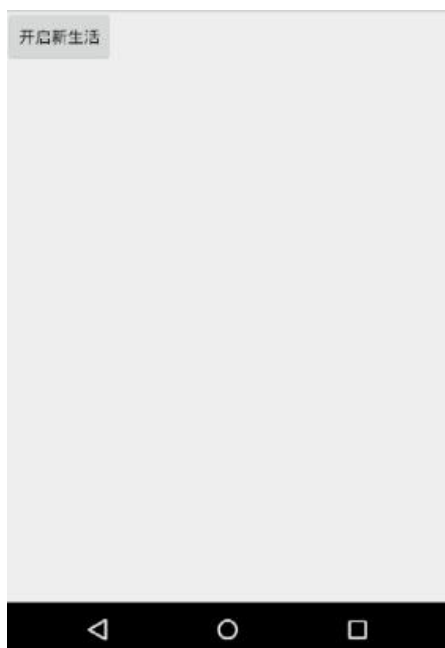
20sp

RGB #FF0000



2

1

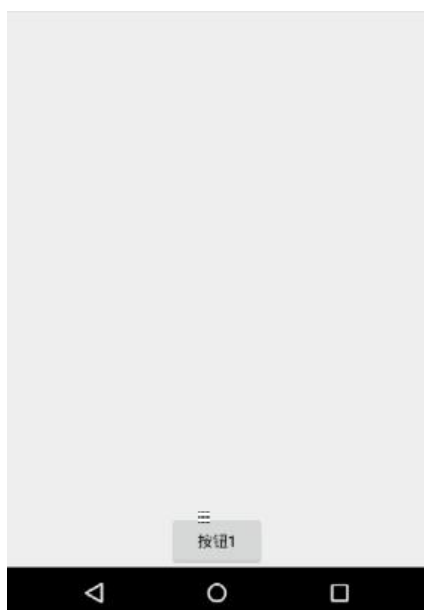


1

2

1

2



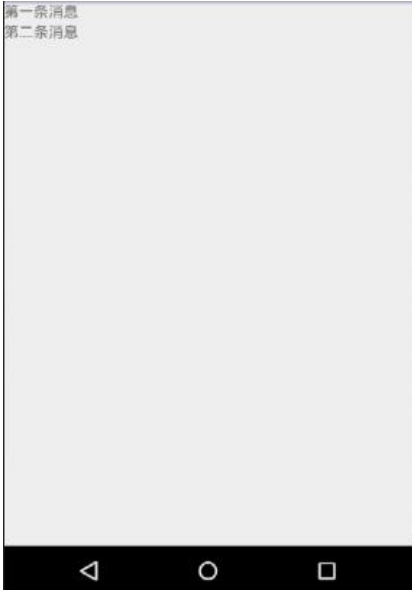
3

:

TextVi ew

2

1



1

2



2

1

2



1

1 1 1 1

2

1

2

1 1 1 1



1

2

1



1

2

1

2



1

2

1

2



1

2

1



1

LED

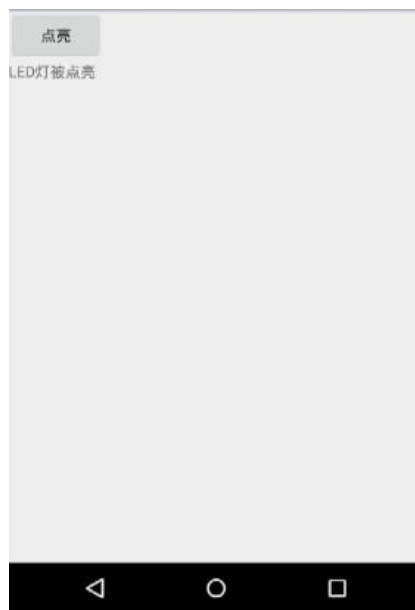
2

1

2

3

TextView LED



1

LED

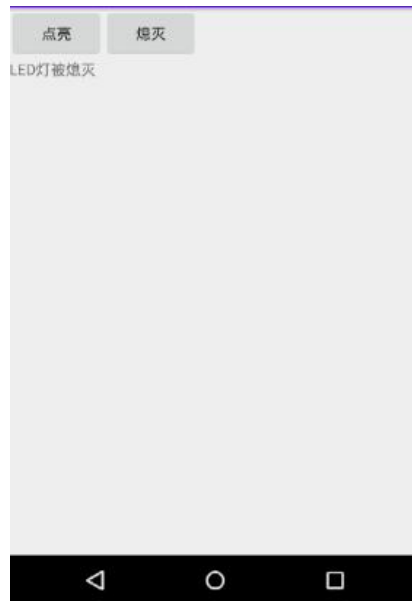
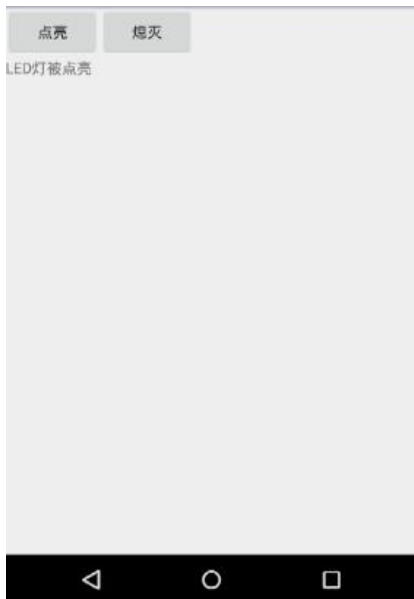
2

1

2

3

TextView LED



1

LED

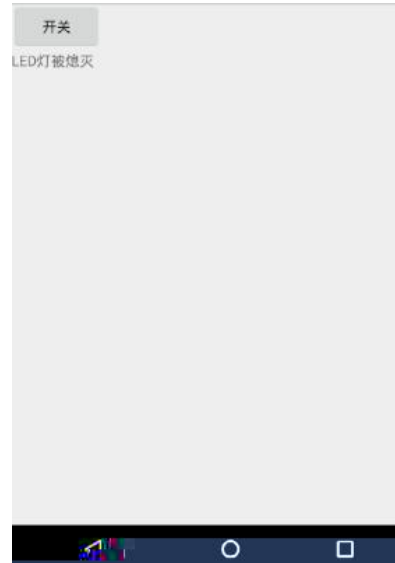
2

1

2

3

TextView LED



1

LED

2

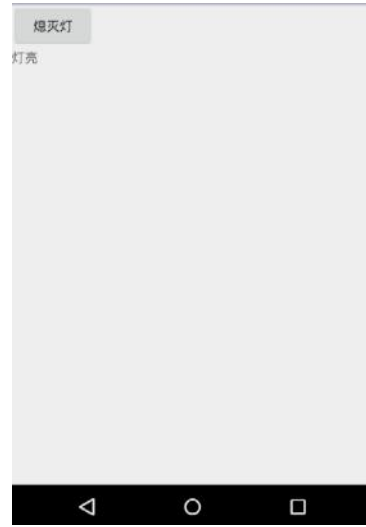
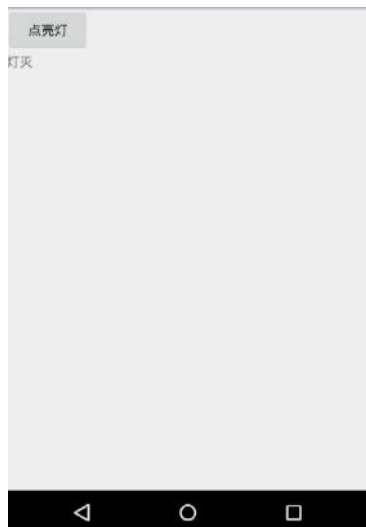
1

2

3

4

TextVi ew



1

LED

2

1

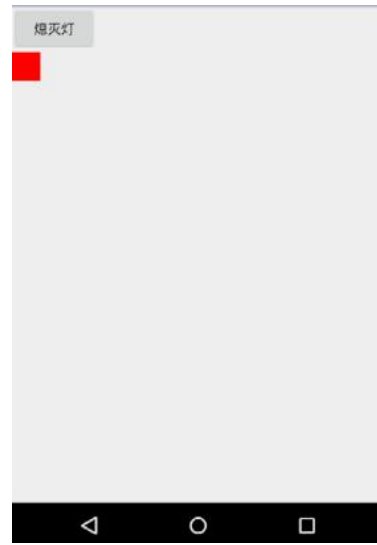
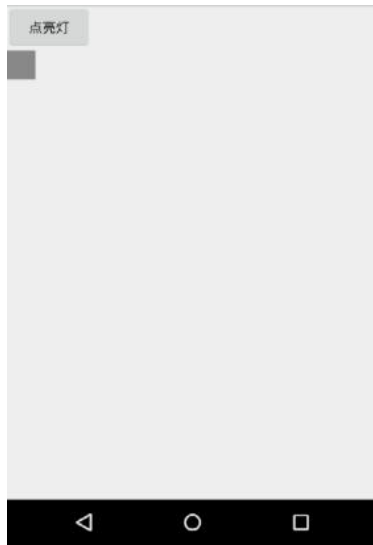
2

3

4

ImageView

30dp*30dp



1

2

1

2



1

2

1

2

